

## Spring Force (xx)

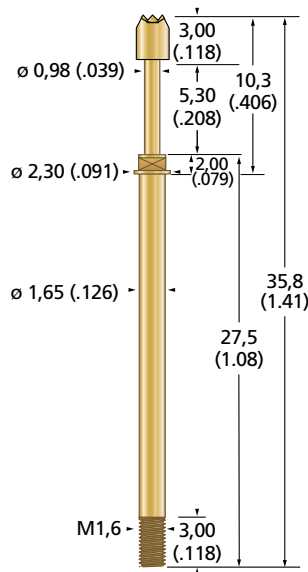
Preload	Rated Force	Code
0,3 N	0,80 N	<b>08</b>
0,5 N	1,50 N	<b>15</b>
0,5 N	2,25 N	<b>23</b>
0,8 N	3,00 N	<b>30</b>
1,0 N	5,00 N	<b>50</b>

	Ø 0,60	<b>71.101.06.xx</b>
	Ø 0,70	<b>71.102.07.xx</b>
	Ø 1,30	<b>71.102.13.xx</b>
	Ø 1,30	<b>71.103.13.xx</b>
	Ø 2,00	<b>71.103.20.xx</b>
	Ø 1,90	<b>71.104.19.xx</b>
	Ø 1,30	<b>71.105.13.xx</b>
	Ø 1,50	<b>71.105.15.xx</b>
	Ø 2,00	<b>71.105.20.xx</b>
	Ø 1,30	<b>71.106.13.xx</b>
	Ø 2,00	<b>71.106.20.xx</b>
	Ø 1,30	<b>71.107.13.xx</b>
	Ø 1,30	<b>71.108.13.xx</b>
	Ø 2,00	<b>71.108.20.xx</b>
	Ø 1,30	<b>71.10.13.xx</b>
	Ø 1,80	<b>71.10.18.xx</b>
	Ø 1,30	<b>71.118.13.xx</b>
	Ø 2,00	<b>* 71.61A.20.xx</b>
	Ø 2,00	<b>* 71.61B.20.xx</b>



For **XXLonglife-Nanocoating**  
order as **71X**

## Series 71



## Series 71

### Technical Data

Overall Length	35,80 mm
Minimum Centre Spacing	2,54 mm
Maximum Travel	5,30 mm
Working Travel	4,00 mm
Temperature Range from	-55°C
Up to	+120°C
Typical Resistance	25 mΩ
Current Load rated/max.	3,0 / 4,0 A

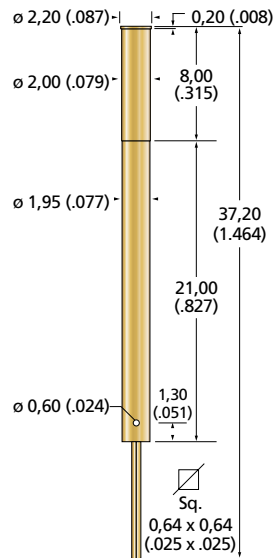
### Materials

Plunger	Steel, gold plated or rhodium plated
Barrel	Brass, gold plated
Spring	Music wire, gold plated

Screwed spring contact probe for  
pitch  $\geq 2.54$  mm.

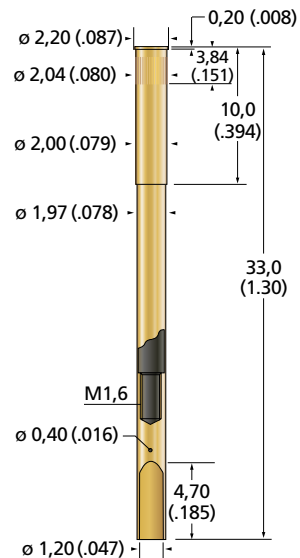
## S 71.00-W

Wire-Wrap-Post with internal thread



## S 71.00-L

Solder Cup with internal thread



## Probes with reduced heads

Ø mm	Code	H-Wert
Ø 0,80	<b>71.103.08H300.xx</b>	3,00
Ø 0,60	<b>71.105.06H500.xx</b>	5,00
Ø 0,80	<b>71.105.08H500.xx</b>	5,00

\* Version A: Slot width 0,40 mm

\* Version B: Slot width 0,30 mm

## Collar types with predefined penetration depth

Ø mm	Code	Z-Wert	T- / K-Wert
Ø 0,70	<b>71.103.07Z200T180.xx</b>	2,00	1,80
Ø 1,50	<b>71.103.15Z250T300.xx</b>	2,50	3,00
Ø 0,80	<b>71.05.08Z450T180.xx</b>	4,50	1,80
Ø 1,00	<b>71.05.10Z150T180.xx</b>	1,50	1,80
Ø 1,00	<b>71.05.10Z180T180.xx</b>	1,80	1,80
Ø 1,00	<b>71.105.10Z200T180.xx</b>	2,00	1,80
Ø 1,00	<b>71.105.10Z260T250.xx</b>	2,60	2,50

**CABLE HARNESS TEST**

CABLE HARNESS TEST  
SERIES 71

Max. Current Load  
4,0 A

Overall Length  
35,80 mm

Working Travel  
4,00 mm

Max. Travel  
5,30 mm

Pitch  
 $\geq 2,54$  mm  $\geq 100$  mil

