

Series 73

Technical Data

Overall Length	46,60 mm
Minimum Centre Spacing	2,54 mm
Maximum Travel	5,00 mm
Travel to switch point	1,50 mm
Temperature Range from	-25°C
Up to	+80°C
Typical Resistance	25 mΩ
Current Load rated/max.	2,0 / 3,0 A

Materials

Plunger	CuBe hardened, gold plated
Barrel	Brass, gold plated
Spring	Music wire, gold plated

The Series 73 is a screw-fit Switch Probe. After a stroke of 1.5 mm, the piston reaches the switch point and the contact between connecting pin (which protrudes from the insulator below) and the housing is established.

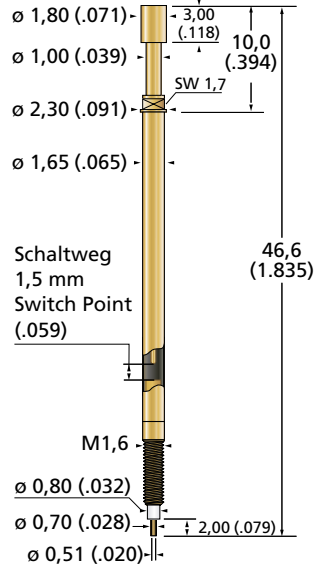
Typical applications are: presence control of components, length control of connector pins and many more.

The indication of the preload spring force is the force at the switching point. The Rated Force is achieved at 80% of the maximum stroke, being 4.0 mm.

Screw-in Tools: IGL-TL-1, IGL-TL-1B, IGL-TL-2 or IGL-TL-3.

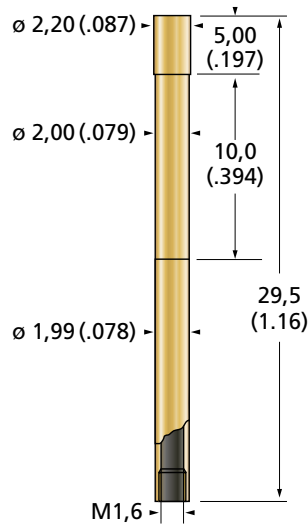
See descriptions on page 137.

Series 73



S 73.05-M

Open end with internal thread



Spring Force (xx)

Preload	Rated Force	Code
0,23 N	0,8 N	08
0,45 N	1,5 N	15
0,9 N	3,0 N	30

	Ø 1,00	73.103.10.xx
	Ø 1,80	73.03.18.xx
	Ø 1,80	73.203.18.xx
	Ø 1,80	73.04.18.xx
	Ø 1,00	73.05.10.xx
	Ø 1,80	73.108.18.xx



For XXLonglife-Nanocoating order as 73X